

# **GenTent**<sup>®</sup>

## **Generator Running Cover**

for  
Fully Encased Inverter Generators



Product Safety & Installation Manual

**WeatherProof** Your Power<sup>™</sup>

**TABLE OF CONTENTS**

<b>IMPORTANT PRODUCT SAFETY</b> .....	<b>3</b>
<b>PACKAGE CONTENTS</b> .....	<b>4</b>
<b>ASSEMBLE &amp; INSTALL STRAP MOUNT</b> .....	<b>5</b>
UNDERSTANDING THE MOUNTING COMPONENTS .....	5
INSTALLING ON GENERATORS WITH HIGH EXHAUSTS (I.E. HONDA EU3000) .....	6
QUICK RELEASE OF THE GENTENT .....	17
<b>ASSEMBLE THE EXTENDER ARMS</b> .....	<b>10</b>
<b>INSTALL THE GENTENT FRAME</b> .....	<b>13</b>
<b>COVER THE GENTENT CANOPY</b> .....	<b>14</b>
INSTALL ELECTRICAL APRON .....	14
REFUELING DOOR & PROPER DOOR SEALING TIPS.....	15
QUICK RELEASE OF THE GENTENT .....	16
<b>INSTALLING THE GENTENT WITH PARALLEL UNITS</b> .....	<b>17</b>
<b>LIMITED WARRANTY</b> .....	<b>18</b>
<b>GENTENT ACCESSORIES AND SPARE PARTS CATALOG</b> .....	<b>19</b>
<b>REGISTER YOUR PURCHASE – ACTIVATE YOUR WARRANTY</b> .....	<b>20</b>

### **Getting Help is Easy**

E-mail your questions or pictures of your installation to

[customercare@gentent.com](mailto:customercare@gentent.com)

Call our customer support at 781-334-8368

Chat with us at [www.gentent.com](http://www.gentent.com)

### **Installation Guides, Videos & Addendums**

Read specialty Installation addendums online. [www.gentent.com/docs](http://www.gentent.com/docs)

Read this Manual Online [www.gentent.com/manual](http://www.gentent.com/manual)

Installation Videos [www.gentent.com/installation](http://www.gentent.com/installation)

Scan the QR codes throughout the manual for links and videos.

### **Follow us on Social Media.**

[www.facebook.com/gentent](http://www.facebook.com/gentent)

[www.twitter.com/gententusa](http://www.twitter.com/gententusa)

[www.instagram.com/gentent](http://www.instagram.com/gentent)



## IMPORTANT PRODUCT SAFETY

Please review these important safety warnings:

### **WARNING:**

**ALWAYS** shut generator off before any fueling or maintenance procedures.

### **WARNING:**

**NEVER** position the GenTent refueling door on the same side of the generator as the exhaust muffler. Spilled gasoline can result in fire. Always use a funnel while refueling.

### **WARNING:**

**NEVER** block or cover the generator exhaust muffler in any way. If the exhaust blows directly on the GenTent canopy, it is installed incorrectly.

### **WARNING**

**NEVER** install the Kevlar® Ratchet Strap over, or direct line of, the generator exhaust muffler.

### **WARNING**

**NEVER** use the GenTent on a generator in a moving vehicle or trailer.

### **CAUTION:**

**DO NOT** pull on the GenTent top cap open corners.

### **CAUTION:**

**ALWAYS** grasp frame rods firmly during installation to avoid the whipping motion that can occur if a bent frame rod is mistakenly released.

### **CAUTION:**

**AVOID** using your portable generator in forecast winds above 70mph.

### **CAUTION:**

**AVOID** over tightening ratchet. The ratchet buckle and strap are capable of tremendous forces that can snap the molded sections and mar the generator case if over tightened.

## IMPORTANT OPERATING NOTES

Please review these important operating notes:

### **NOTE:**

GenTent Inverter kit is suitable for fully encased inverter generators with perimeters up to 124"

### **NOTE:**

Should generator handle cause significant stretching of the elastic straps when extended, release the elastic straps on the handle side of the generator before deploying generator handles. Once the generator is in the desired position, lower the handle, and refasten the elastic straps.

### **NOTE:**

The bottom trim of the canopy should align at or slightly below the top of the generator. This will prevent pooling water on the fuel tank and potential drippage toward the outlets. The electrical apron will cover down to the top of the clamp which should be positioned below the lowest electrical outlet.

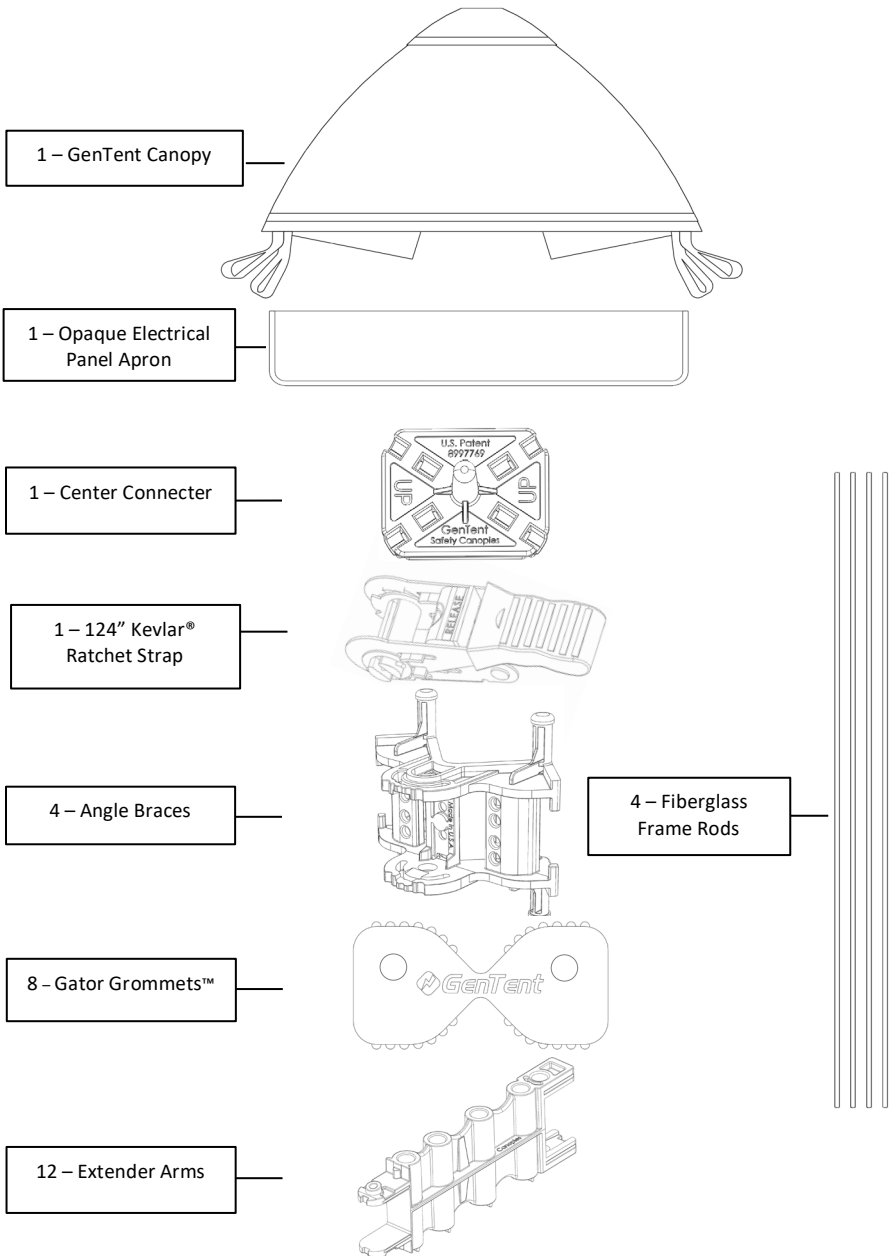
### **NOTE:**

Should GenTent cover block pull starter, it is advisable to release the elastic straps on the pull starter side and temporarily move the GenTent canopy out of the way.

### **NOTE:**

When using GenTent during snowstorms, it is recommended to periodically brush away any accumulation that blocks the top vent.

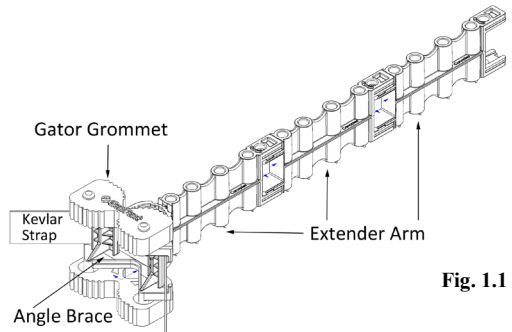
# Package Contents



# 1. Assemble and Install Strap Mount

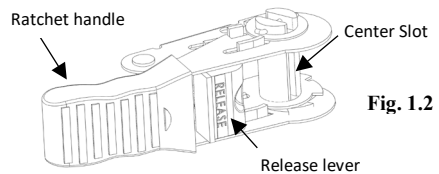
## Understanding the Mounting Components

The Angle Braces and Extender Arms work together with the Kevlar® ratchet buckle (Fig 1.1) to create a stable and strong mounting point for the GenTent frame on your inverter generator.



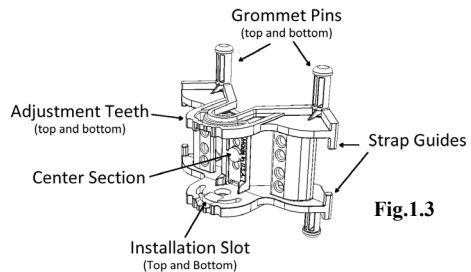
**Fig. 1.1**

The Kevlar® Ratchet Strap (Fig 1.2) is installed through the Angle Brace center and is tightened to create the base of the mounting assembly to your inverter case.



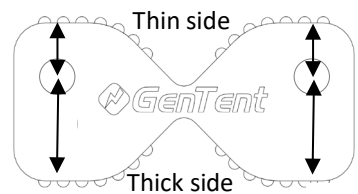
**Fig. 1.2**

The Angle Braces (Fig 1.3) are held to the four corners of your case along with the Gator Grommets™ by the Kevlar® Ratchet Strap and creates a firm mounting and adjustment point for the Extender Arms.



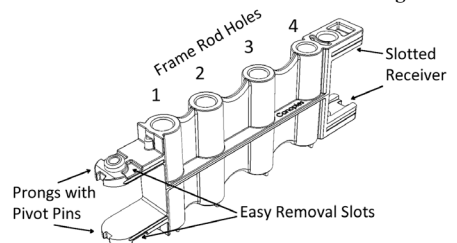
**Fig.1.3**

The Gator Grommets™ (Fig1.4) are pressed onto the pins of the Angle Brace to create a corner mounting assembly. The grommets allow the assembly to grip the generator case without marring the surface. Each Gator Grommet™ has two (2) thicknesses allowing for optimal fit on various case shapes.



**Fig.1.4**

The Extender Arms will connect directly to the corner Angle Brace. Additional Extender Arms can be added to provide additional support for the GenTent frame.



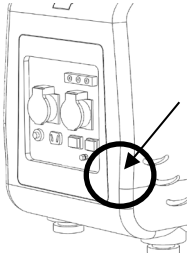
**Fig.1.5**

## Determine the Angle Brace Location and Grommet Setup

Determining the location of the Angle Braces means you must also determine the best configuration of your Gator Grommets™. In this section you will learn how to best install your Gator Grommets™ onto your Angle Braces and where they will be installed once tightened via the Kevlar® Ratchet Strap.



- a. Hold an Angle Brace on a corner nearest to the electrical panel, slightly under the electrical outlets (Fig 1.6) with the grommet pins up and down.
- b. Identify the placement of your Angle Brace and determine the slope of the case for each corner. The way in which it curves (or not) determines if the case has a positive, negative or no slope. (Fig 1.7) You will need this information in the next section.
- c. If the Angle Braces are parallel to the exhaust pipe, lower the Angle Braces so that they are below the exhaust pipe.



**Fig. 1.6**



Positive Slope



Vertical



Negative Slope

**Fig. 1.7**

### **Installing on Generators with High Exhausts**

Some Inverters have an exhaust above the height of the electrical panel. In this case, you must install the Angle Braces at different heights on the exhaust side as compared to the electrical panel side, to ensure the exhaust is venting out under the canopy. The result will be a sloped GenTent canopy.

Scan the QR code to learn more

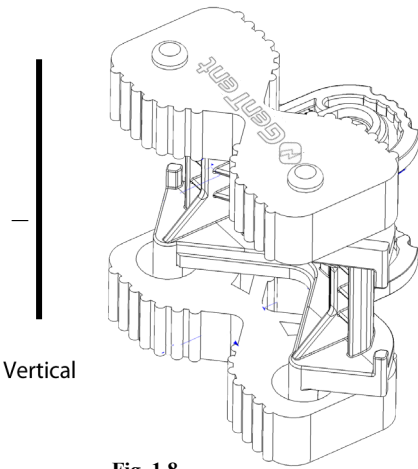


### **Install the Gator Grommets™**

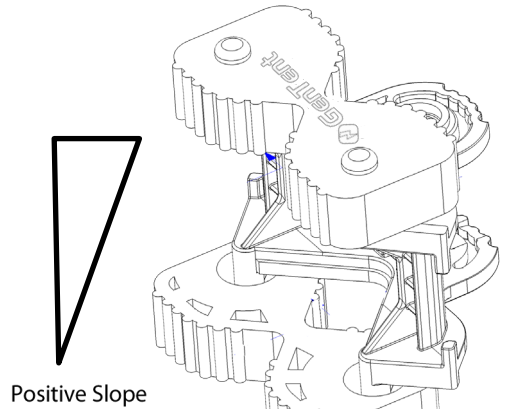
The Gator Grommets™ are used to keep the Angle Braces as level as possible on the case and to give the mount assembly a tight grip against the case. Use the diagrams in Figures 1.8, 1.9 and 1.10 to see how to install the Gator Grommets™ based on your slope.

- d. Once you know the slope of your generator case you will need to push the Gator Grommets™ onto the Angle Brace in the correct configuration.
- e. If you have a case that is straight up and down (**Vertical case**); install both Gator Grommets™ so that the “thin” (fig 1.4) side will be facing the generator case. (fig 1.8)

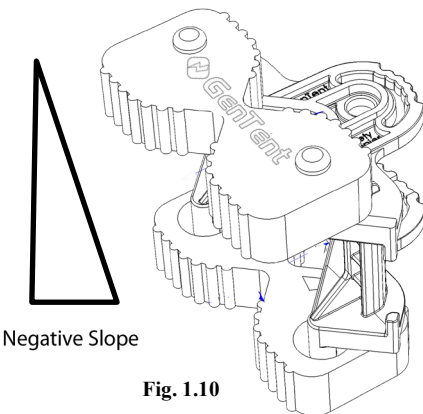
- f. If you have a case that slopes in at the base (**Positive Slope**); install the top Gator Grommet™ with the “thin” (fig 1.4) side and the bottom Gator Grommet™ with “thick” (fig 1.4) side facing the case (Fig 1.9)
- g. If you have a case that slopes out at the base (**Negative Slope**); install the top Gator Grommet™ with the “thick” (Fig 1.4) side and the bottom Gator Grommet™ with the “thin” (fig 1.4) side facing the case. (fig 1.10)



**Fig. 1.8**



**Fig. 1.9**

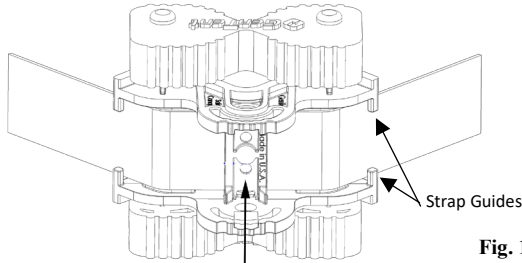


**Fig. 1.10**

## Threading the Kevlar® Strap Through the Angle Braces

The Kevlar® Ratchet Strap is what secures the four Angle Braces to the case of your generator. It is threaded through and behind the Angle Brace center (Fig 1.11) circling around the generator to feed into Ratchet Buckle for tightening.

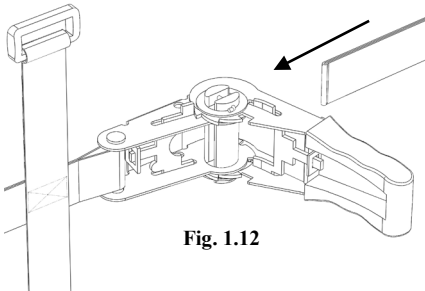
- h. Unwind your Kevlar® Strap, take the loose end and feed it through each Angle Brace, ensuring to stay under the strap guides (Fig 1.11) and behind the center section (Fig 1.11). While feeding the strap through each of the Angle Braces **avoid twisting the strap** and be sure the grommets are facing toward the case.



**IMPORTANT:** Install strap *behind* this center section

### Note

If you are unfamiliar with ratchet buckles scan the QR code to learn more.



### Strap the Assembly to the Case

With the Kevlar® Strap fed through the four Angle Braces you are now going to tighten the strap to hold them in place.

- i. Loosely place the four Angle Braces next to the four corners of the generator with the strap running through them and the Gator Grommet™ facing the case.
- j. With the Ratchet open, feed the loose end of the strap through the center slot so that the strap is coming towards the top of the ratchet handle (Fig 1.12). Do this until all the excess strap is through the ratchet center. **Ensure that the strap has not twisted.**
- k. Pull the Kevlar® Strap slack tight through the Ratchet Buckle center. Maintaining tension on the Kevlar® Strap, position the Angle Braces into the desired positions on the corners of the generator. (Fig 1.13).

### Note

Ensure the back of the ratchet is facing the case, this ensures you can open and close the ratchet handle without issue.



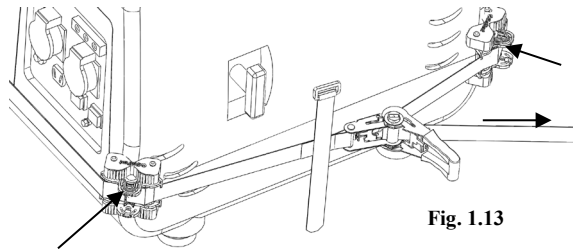
### WARNING

Never mount the Kevlar Strap so that it blocks, or is in direct line of, the exhaust. The Kevlar will not burn or snap but blocking the exhaust can damage the inverter generator.



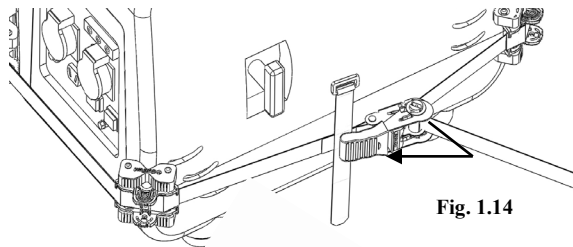
- l.** Once the Angle Braces are in the desired location, open and close the ratchet handle 1 or 2 times to begin tightening the system (Fig1.14). **Do not over tighten the system so tight that you cannot make any adjustments to the placement of the Angle Braces.**

- m.** Make final adjustments to the Angle Braces location to ensure they are on the corners of the case, at the bottom of the electrical panel and not blocking the exhaust.



**Fig. 1.13**

- n.** Finish by tightening the Kevlar® ratchet strap 1-2 times until the strap is tight enough to make a light “thrum” when the strap is plucked (much like a guitar string). **Ensure to not over tighten the strap as it can warp or crack your case.**

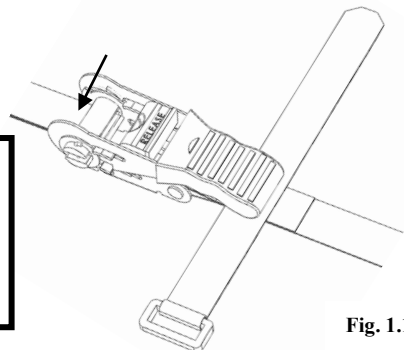


**Fig. 1.14**



**Note**

To loosen the ratchet: Pinch the release lever towards the ratchet handle (Fig 1.15) and open the ratchet handle all the way and pull the open handle causing the strap to unwind.



**Fig. 1.15**

## 2. Assemble the Extender Arms

Each Angle Brace has a slotted receiver (female end) for the Extender Arm prongs (male end) to insert into (Fig 2.1). Once installed the Extender Arms will give you a platform to install your GenTent Frame Rods into.



### Connecting the Extender to the Angle Brace

- a. Align the Extender Arm prongs with the slotted receiver of the Angle Brace.
- b. Push the Extender Arm straight into the Angle Brace until the pivot pins snap into place (Fig 2.1)
- c. Repeat this process for all four corners.

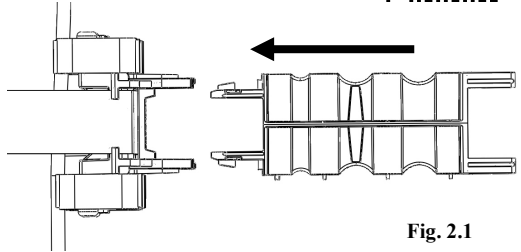


Fig. 2.1

#### **Note**

Install Extender Arms with the Frame Rods holes facing up.

### Finding the Right Position for the Extender Arms

You will use the Extender Arms to create a span large enough to create an offset rectangle around your inverter (Fig 2.2) with a width of 23" to 25" by a length of 34" to 36". **The GenTent should be installed offset from center to ensure the exhaust is as close to the edge of the Canopy as possible, this allows for the exhaust to escape quickly and maintain the generators cooling profile.**

- d. Angle the Extender Arms on the exhaust side away from each other. **If the distance from the fourth hole to the fourth hole is less than 23"**, then add an Extender Arm to each side and re-measure.
- e. Move to the opposite end from your exhaust and add Extender Arms evenly until you can measure a length between 34" to 36". (Fig 2.4 "B")

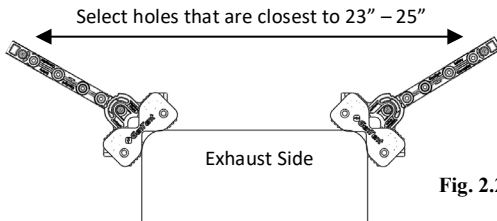
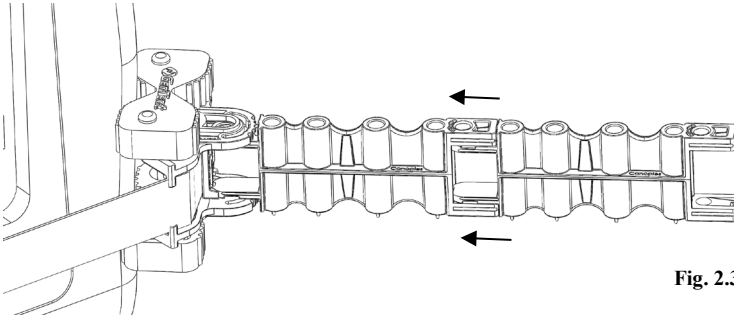


Fig. 2.2

## **How to Add Additional Extender Arms**

To install additional Extender Arms, align the Extender Arm prongs with the receiver slot of the installed Extender and push the Extender Arm in until the pivot pins snap into place.



**Fig. 2.3**

### **Note**

A maximum of three Extender Arms on any one corner will be used during normal setup and operation.

## **Making Final Extender Arm Adjustments**

- f.** Measure the width between the rod holes on the second set of Angle Braces to ensure the distance is between 23" and 25" (Fig 2.4 "C")
- g.** If the distance is less than needed, adjust each Extender Arm outward on the Angle Brace by one position and repeat this measurement.

### **Note**

Each Angle Brace has adjustment teeth with 5 different positions. This is to allow the Extender Arms the ability to move into the desired location. For many inverters you will start by moving the Extender arms out to their furthest positions away from the inverter case.

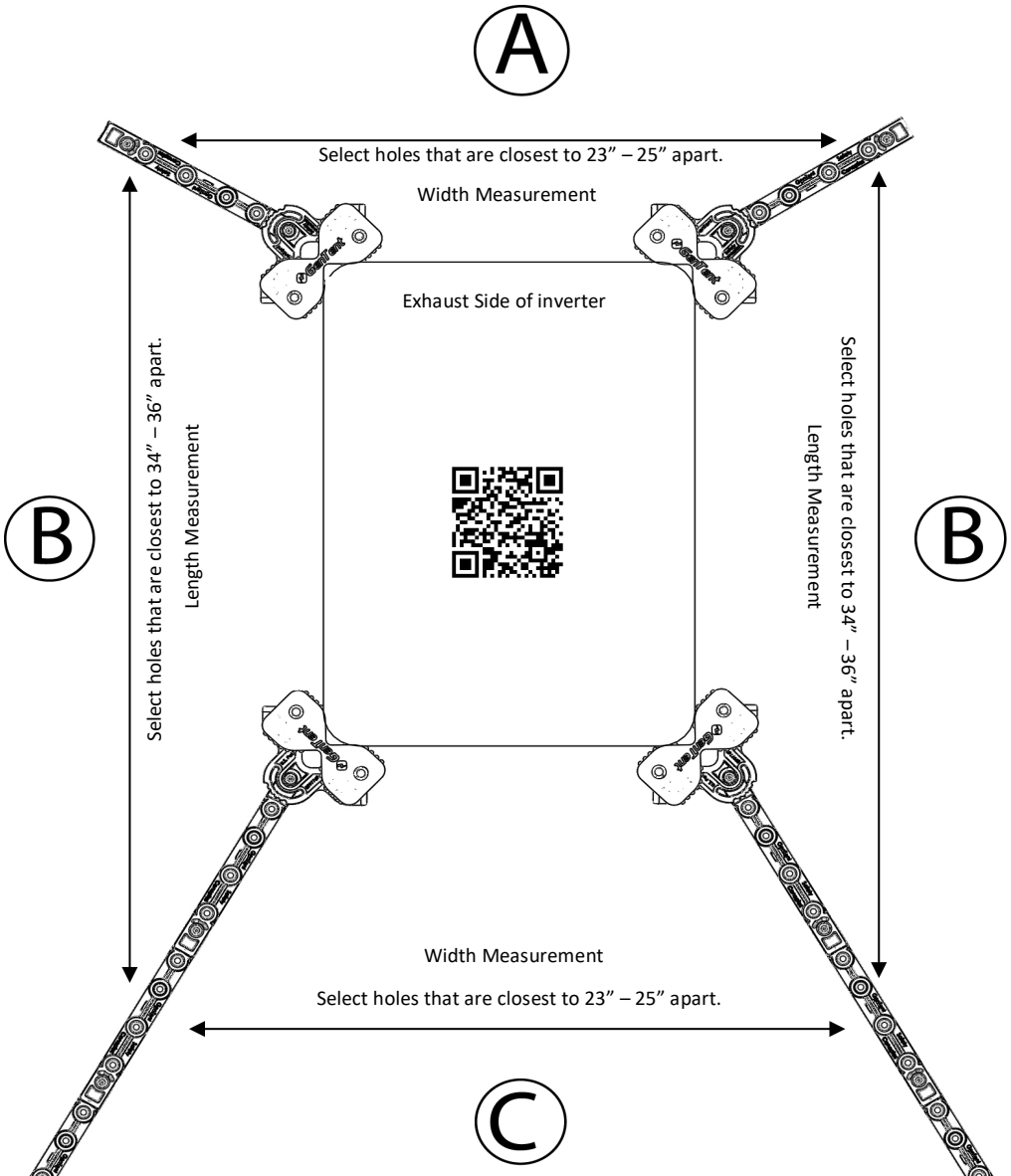


Fig. 2.4

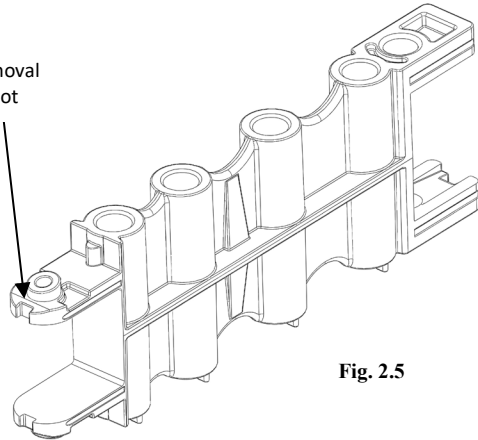
## Disassembling the Extender Arms

Complete disassembly of the Extender Arms between use or for storage is not necessary and is not recommended. The Angle Braces and Extender Arms can stay installed together for storage. Should you want to disassemble the Extender Arms, a flat head screwdriver or similar flat edge tool is required.

- a. Put the flat edge in the removal slot (Fig 2.5) on the top or bottom prong of the Extender Arm that is to be removed.
- b. Rotate the blade down toward the tip of the prong to disengage the pivot pin.
- c. While rotating the flat edge blade to disengage the pin, push down or lift up on the Extender Arm to allow it to come free.



Removal  
slot



**Fig. 2.5**

### **Note**

Follow the same steps to remove the Extender Arm from the Angle Brace.

### 3. Install GenTent Frame

- a. Orient the Center Connector with the vent pin up and position the Center Connector to match generator alignment, short and long sides, respectively. Unless you are installing in parallel; see Page 18 "Installing the GenTent with Parallel Units".
- b. Insert the first Frame Rod into the Center Connector, ensuring it is seated all the way into the Center Connector.

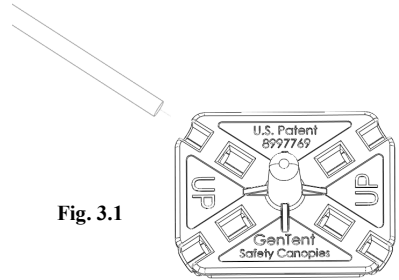


Fig. 3.1

- (Fig. 3.1) **Always insert the Frame Rod into the Center Connector before inserting it into the Extender Arms.**
- c. Insert the other end of the frame rod fully into the corresponding Extender Arm hole at the pre-measured locations (Fig 3.2)

#### CAUTION

Always grasp frame rods & center connector firmly during installation to avoid the whipping motion that can occur if a bent fiberglass rod is mistakenly released.

- d. Install the Frame Rods into the Center Connector in a crisscross pattern. Always be sure to grasp the free end of the frame rod firmly. Then bend the free end towards the Extender Arm and insert fully into the correct hole.
- e. Repeat for remaining Frame Rods.
- f. Check the Extender Arms; the Frame Rods should be fully seated into the Frame Rod holes. (Fig. 3.2) The Extender Arms will exhibit a slight upward lean; this is due to the force being applied to them by the fiberglass rods.
- g. If any Extender Arm assemblies exhibit twisting, move the Extender Arm one position in the direction of the twist on the Angle Brace, or alternatively move the entire Angle Brace in the direction of the twist until the Extender Arms straighten out.

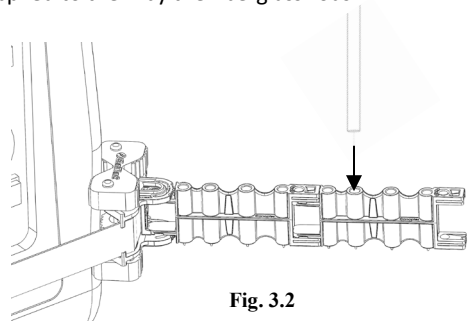


Fig. 3.2

## 4. Cover the GenTent

- a. Grasping the GenTent by the center of the top cap, open the GenTent Canopy and place it onto the GenTent frame. **Do not pull the open corners of the top cap;** these are for ventilation.
- b. Place the GenTent Canopy on the Frame Rods. Center the top cap on the Center Connector pin. (Fig 4.1) Ensure the GenTent Canopy coverage is generally equal and level.
- c. Slide one corner elastic under the end of the Extender Arm and set it behind the Frame Rods. (closer to the generator than the Frame Rods) (Fig. 4.2)
- d. Repeat on opposite corners. Review and adjust GenTent Canopy if necessary, to ensure it is level.

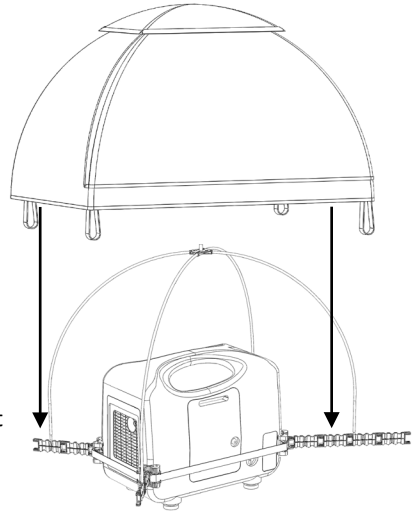


Fig. 4.1



### **WARNING**

Never position the refueling door on the same side as the exhaust muffler. Spilled gasoline can result in fire. Always use a funnel for refueling

### Install the Electrical Panel Apron

- e. Along the bottom edge of the GenTent Canopy is an over-flap. Flip up the over-flap from corner to corner above the electrical outlets. This will reveal a fastener strip. (Fig. 4.3)
- f. Center the Electrical Panel Apron in front of the generator electrical panel and press the apron firmly onto the fastener strip. The Apron can be adjusted to the left or right in order that it stays a minimum four inches away from the exhaust. **Do not block the exhaust!**
- g. Flip the over-flap down and over the Electrical Panel Apron. This will ensure water runs over the front of the apron, keeping the electrical outlets dry.

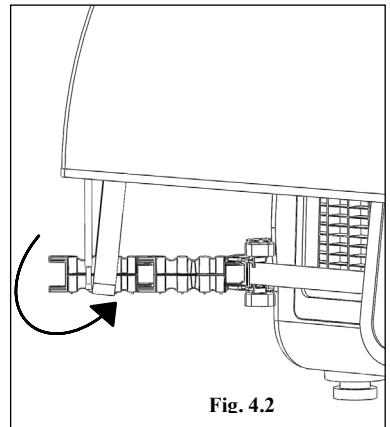


Fig. 4.2

**WARNING**

GenTent Canopy must be installed above generator exhaust muffler. Install GenTent Electrical Panel Apron such that it cannot block exhaust in any way.

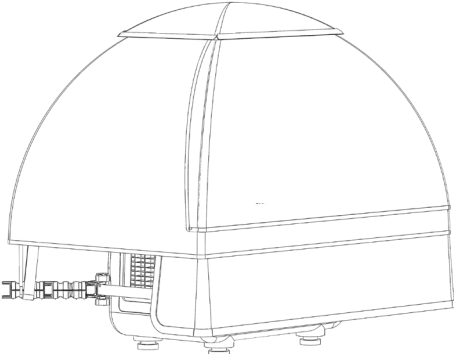


Fig. 4.3

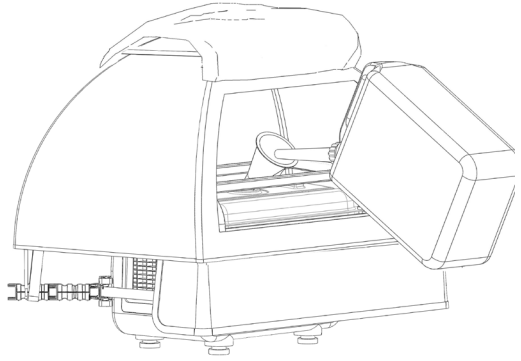


Fig. 4.4

**Refueling Door**

The GenTent refueling door is designed to allow you to easily refuel your generator without removing the GenTent. After use, the refueling door must be wrapped around the side and pressed firmly back in place. Failure to reseal the door may allow water to seep into the canopy. (Fig. 4.4)

Proper door sealing technique:

- Align the hook and loop at the bottom of the refueling door and press in place.
- Press the refueling door around the Canopy and slide your hands to the bottom while applying pressure to seal the door.

**Clear Electrical Panel Apron** (Option, Not Included)

The Clear Electrical Panel Apron is an optional alternative to the opaque electrical panel apron that comes with your GenTent and is installed in the same way. For larger generators, or generators with a longer electric panel, the clear and opaque aprons can stack on top of each other to extend the panel coverage further down the generator.

**NOTE**

The intent of the Electrical Apron is to cover the electrical outlets in the front & wrap around the adjacent sides to protect against sideways rain. **Additional aprons should never be wrapped around the generator while in use.**



## Quick Release of the GenTent

The GenTent can be removed in one piece to facilitate maintenance should it be needed. This can only be completed after completing steps “3. Install the GenTent Frame” & “4. Cover the GenTent”.

### **WARNING**

Do not attempt to quick release the GenTent unless the entire setup is complete. This can cause the system to twist and mangle and might damage your GenTent.

- a. With the GenTent fully installed you can open the ratchet handle by pinching the release lever, allowing an inch or less of slack through.
- b. You will want to release only enough tension on the strap that the assembly will want to fall to the ground.
- c. Close the ratchet handle.
- d. Take hold of the GenTent by grasping the center of the Canopy top cap (Fig 4.5) and lift straight up, **DO NOT LIFT BY THE TOP CAP CORNERS**. The tension on the strap from the fully assembled GenTent will ensure it keeps its shape.
- e. Place the fully assembled GenTent to the side while you perform maintenance.
- f. Once maintenance is complete simply place the entire assembly back over the generator back into the desired location and Ratchet Strap tight, as it was before.

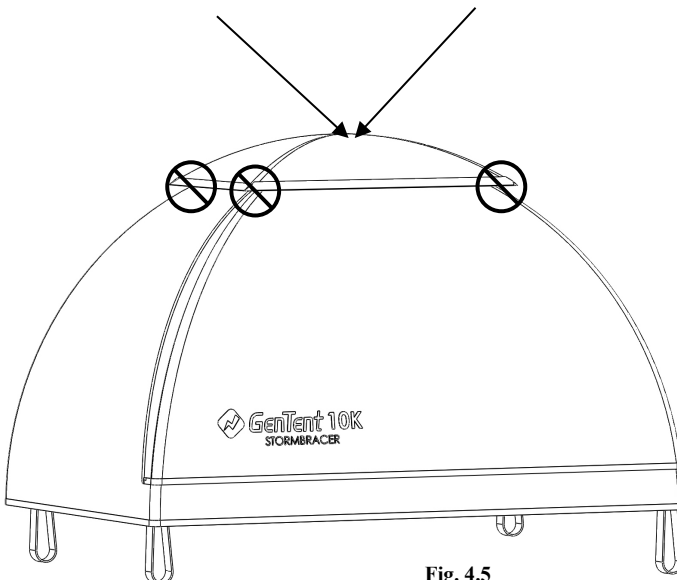


Fig. 4.5

## 5. Installing the GenTent with Parallel Units

### Note

Requires additional purchase of "GenTent Inverter Extender Arms Kit"

The GenTent for inverter generators has a design that will allow it to accommodate running smaller 1-2K watt generators in parallel under one Canopy. The following is an amendment to the standard instructions laid out previously in this manual. **Read all the standard setup instructions prior to attempting a parallel setup.**

- a. To install in parallel, you will need to turn your generator 90 degrees so that the Primary generator is perpendicular to the Canopy.
- b. You will strap the mounting assembly to the lead generator (A), so the exhaust faces out under the long side of the GenTent offset to one side of the Canopy. (Fig 5.1)
- c. You will need to build the extender arms out as described in "**Assemble the Extender Arms**" in an off-set design where most of the Extender Arms are built out to accommodate the companion generator protection. (Fig 5.1) This usually takes 2 Extender Arms on each of the short side corners and 6 on each of the long side corners.
- d. You have the Extender Arms in the desired 34"-36" L by 23"-25" W, you will place the parallel generator (B) between the Extender Arms (Fig 5.1)
- e. You can then Frame and Cover your GenTent as described in Sections "**3. Install the GenTent Frame**" & "**4. Cover the GenTent**"

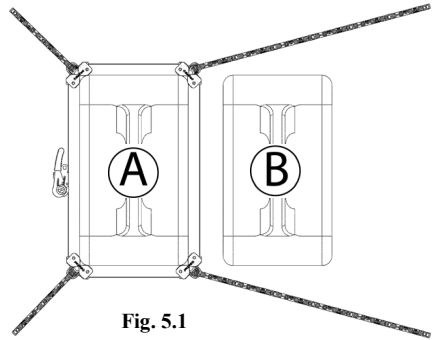


Fig. 5.1

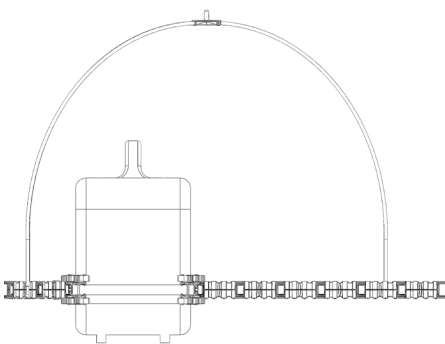


Fig. 5.2

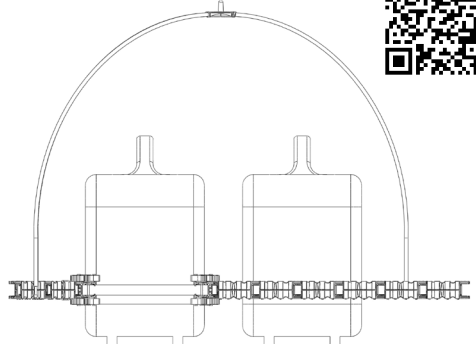


Fig. 5.3



# Limited Warranty

## What is Covered

This warranty covers any defects in materials or workmanship of the GenTent® Safety Canopy under normal use in forecast winds up to seventy mph and snow loads up to eighteen inches, with the exceptions stated below.

## How Long Coverage Lasts

The warranty runs from the date on your GenTent® product receipt. Warranty period for hardware components is three (3) years. Warranty period for EXTREME canopies is three (3) years. Warranty period for canopies without the Extreme insignia is one (1) year.

## What is not Covered

This warranty does not cover issues resulting from improper installation or issues resulting from not adhering to the Warnings and Cautions as stated in this GenTent Product Installation and Safety Manual. This warranty does not cover fading or discoloration caused by exposure to sunlight or chemicals, slight fabric color mismatches, or deterioration due to exposure to chemicals. This warranty does not cover abuse, misuse, or neglect including, but not limited to; lost parts, over tightening clamps, blocking a running portable generator exhaust with parts of the GenTent, or rips, tears or breaks due to sharp and/or heavy and/or falling objects. This warranty does not cover issues arising because of modifications made to your portable generator or to the GenTent® that have not been specified by the manufacturer.

GenTent products or components returned without an RMA and proof of purchase are not covered (see How to Get Service). Also, consequential, and incidental damages are not recoverable under this warranty. Some states do not allow the exclusion or limitation of incidental or consequential damages, so the above limitation or exclusion may not apply to you.

## What GenTent Safety Canopies LLC Will Do

During the term of this Warranty, GenTent Safety Canopies, LLC will repair any GenTent canopy or replace any GenTent frame or clamp component that proves to be defective in materials or workmanship. In the event repair of a GenTent canopy is not possible, GenTent Safety Canopies will replace your GenTent canopy with a new GenTent canopy of similar composition and price.

## How To Get Service

Contact GenTent Safety Canopies LLC by emailing [customercare@gentent.com](mailto:customercare@gentent.com), calling **781-334-8368** or writing us at the address below to discuss your Warranty concern and obtain a RMA (return materials authorization). You must provide a copy of the original receipt or packing slip that you received as part of your purchase.

GenTent Safety Canopies, LLC  
Attn: Customer Warranty Service  
99 Pine Road  
Brentwood, NH 03833

## How State Law Applies

This warranty gives you specific legal rights, and you may also have other rights, which vary from state to state.

# GenTent Accessories and Spare Parts Catalog

GenTent accessories are available at [www.gentent.com/accessories](http://www.gentent.com/accessories)

Spare parts are available at [www.gentent.com/spares](http://www.gentent.com/spares).



## GenTent® Accessory Bonus!

Buy any TWO (2) or more accessories  
receive \$10 OFF your order!

Visit [GenTent.com/ReturnBonus](http://GenTent.com/ReturnBonus) or Call 781-334-8368



**GenTent Inverter Mounting Kit  
For Fully Encased Generators**



**GenTent Universal Mounting Kit  
For Open Frame Generators**



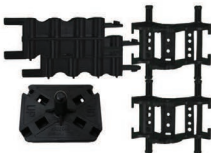
**GenTent Clear Vinyl  
Electrical Apron**



**GenTent Universal  
Generator Folding Handles**



**GenSkirt Outside  
Storage Conversion**



**GenTent Inverter  
Generator Spares Kit**



**GenTent Storage Bag**



**GenTent Portable  
Generator Spares Kit**

GT-INSERT-UNV







## **Register Your Purchase – Activate Your Warranty**

**Note: If you purchased directly at GenTent.Com, your purchase is already registered and completing this registration document is not required!**

Complete your registration online at [www.gentent.com/register](http://www.gentent.com/register) or fill out this card and mail to:

GenTent Safety Canopies  
Attn: Product Registration  
99 Pine Road  
Brentwood, NH 03833

### **Your Information:**

Name: \_\_\_\_\_

E-Mail Address: \_\_\_\_\_

Address: \_\_\_\_\_

City: \_\_\_\_\_

State: \_\_\_\_\_

Country: \_\_\_\_\_

Postal Code: \_\_\_\_\_

Phone Number: \_\_\_\_\_

### **Purchase Information:**

GenTent Purchase Date: \_\_\_\_/\_\_\_\_/\_\_\_\_ (mm/dd/yyyy)

GenTent Purchase Place:  
\_\_\_\_\_

Generator Make: \_\_\_\_\_

Generator Model: \_\_\_\_\_

In addition to activating your product warranty, registering allows us to keep in contact with you from time to time with important product updates, generator safety tips and special offerings for registered customers. Please note we never share your contact information.